

Use & Care

G U I D E

120-Volt Compact Electric Dryer

A Note to You.....	2
Dryer Safety.....	3
Installation Instructions	5
Parts and Features	13
Using Your Dryer	14
Starting your dryer	14
End of cycle signal	15
Loading	15
Selecting the right cycle and setting.....	15
Caring for Your Dryer	18
Troubleshooting	20
Assistance or Service	22
Warranty	24

In the U.S.A. for assistance or service, call the Consumer Assistance Center:
1-800-253-1301
In Canada for assistance or service, see page 23.



A Note to You

Thank you for buying a WHIRLPOOL* appliance.

The Whirlpool Brand is committed to designing quality products that consistently perform for you to make your life easier. To ensure that you enjoy years of trouble-free operation, we developed this Use and Care Guide. It is full of valuable information about how to operate and maintain your appliance properly and safely. Please read it carefully.

Also, complete and mail the **Ownership Registration Card** provided with your appliance. The card helps us notify you about any new information on your appliance.

Please record your model's information.

Whenever you call to request service for your appliance, you need to know your complete model number and serial number. You can find this information on the model and serial number label (see the diagram on the "Parts and Features" page for the location of the label).

Please also record the purchase date of your appliance and your dealer's name, address, and telephone number.

Model Number _____

Serial Number _____

Purchase Date _____

Dealer Name _____

Dealer Address _____

Dealer Phone _____

Keep this book and the sales slip together in a safe place for future reference.

**Our Consumer Assistance Center
number is toll free.**

1-800-253-1301

To find detailed product information, the location of the nearest Whirlpool dealer or designated servicer, to purchase an accessory item, or register your appliance on-line, please visit our Web site at www.whirlpool.com

In Canada, for assistance or service, see the "Assistance or Service" section.

In Canada, visit our Web site at www.whirlpool.com/canada

Dryer Safety

Your safety and the safety of others is very important.

We have provided many important safety messages in this manual and on your appliance. Always read and obey all safety messages.



This is the safety alert symbol.

This symbol alerts you to hazards that can kill or hurt you and others.

All safety messages will be preceded by the safety alert symbol and the word "DANGER" or "WARNING." These words mean:

⚠ DANGER

You will be killed or seriously injured if you don't follow instructions.

⚠ WARNING

You can be killed or seriously injured if you don't follow instructions.

All safety messages will identify the hazard, tell you how to reduce the chance of injury, and tell you what can happen if the instructions are not followed.

IMPORTANT SAFETY INSTRUCTIONS

WARNING: To reduce the risk of fire, electric shock, or injury to persons when using the dryer, follow basic precautions, including the following:

- Read all instructions before using the dryer.
- Do not place items exposed to cooking oils in your dryer. Items contaminated with cooking oils may contribute to a chemical reaction that could cause a load to catch fire.
- Do not dry articles that have been previously cleaned in, washed in, soaked in, or spotted with gasoline, dry-cleaning solvents, other flammable, or explosive substances as they give off vapors that could ignite or explode.
- Do not allow children to play on or in the dryer. Close supervision of children is necessary when the dryer is used near children.
- Before the dryer is removed from service or discarded, remove the door to the drying compartment.
- Do not reach into the dryer if the drum is moving.
- Do not install or store the dryer where it will be exposed to the weather.
- Do not tamper with controls.
- Do not repair or replace any part of the dryer or attempt any servicing unless specifically recommended in this Owner's Manual or in published user-repair instructions that you understand and have the skills to carry out.
- Do not use fabric softeners or products to eliminate static unless recommended by the manufacturer of the fabric softener or product.
- Do not use heat to dry articles containing foam rubber or similarly textured rubber-like materials.
- Clean lint screen before or after each load.
- Keep area around the exhaust opening and adjacent surrounding areas free from the accumulation of lint, dust, and dirt.
- The interior of the dryer and exhaust vent should be cleaned periodically by qualified service personnel.
- See Installation Instructions for grounding requirements.

SAVE THESE INSTRUCTIONS

IMPORTANT: Observe all governing codes and ordinances.

Installation Instructions

Read the “Dryer Safety” section of your dryer’s Use and Care guide, and completely read these installation instructions before beginning installation.

Before starting installation

⚠ WARNING

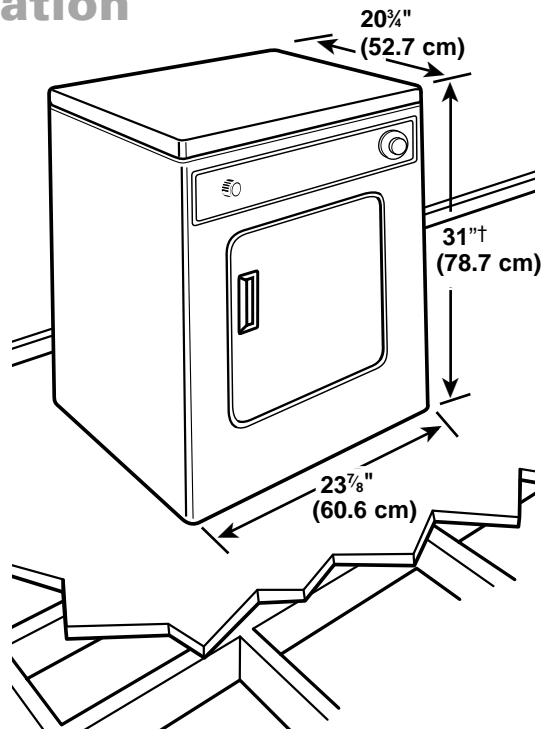


Explosion Hazard

Keep flammable materials and vapors, such as gasoline, away from dryer.

Place dryer at least 18 inches (46 cm) above the floor for a garage installation.

Failure to do so can result in death, explosion, or fire.



†Height with casters is 32½" (82.6 cm).

- **Check location** where dryer will be installed. Proper installation is your responsibility. The dryer must not be installed or stored in an area where it will be exposed to water and/or weather. Make sure you have everything necessary for correct installation.
 - **Grounded electrical supply** is required. See “Electrical requirements.”
 - **Four-inch metal exhaust vent is required.** See “Exhaust requirements.”
 - **Check code requirements:** Some codes do not permit or limit installation of clothes dryers in garages, closets, mobile homes, or sleeping quarters. Contact your local building inspector.
 - **Protection from the weather:** Proper operation of dryer cycles requires temperatures above 45°F (7°C), or the dryer may not shut off when automatic cycles are used.
 - **Support:** Floor must be sturdy enough to support dryer weight and load of 110 lb (50 kg).
 - **Location:** Must be large enough to fully open dryer door. See “Recessed area and closet installation” for minimum spacing requirements.
 - **Level floor:** 1 in (2.5 cm) maximum slope under **entire** dryer.
- NOTE:** Observe all governing codes and ordinances.

Electrical Requirements

WARNING



Electrical Shock Hazard

Plug into a grounded 3 prong outlet.

Do not remove ground prong.

Do not use an adapter.

Do not use an extension cord.

Failure to follow these instructions can result in death, fire, or electrical shock.

- A 120-Volt, 60-Hz., AC-only, 15- or 20-ampere fused electrical supply is required.
- A time-delay fuse or circuit breaker is recommended. Be sure fuse or circuit breaker matches the rating of your line.
- Use a separate circuit serving only your dryer.
- Do not use an extension cord.

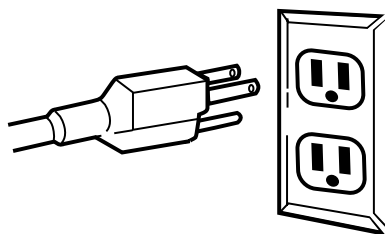
GROUNDING INSTRUCTIONS

This appliance must be grounded. In the event of malfunction or breakdown, grounding will reduce the risk of electric shock by providing a path of least resistance for electric current. This appliance is equipped with a cord having an equipment-grounding conductor and a grounding plug. The power supply cord must be plugged into an appropriate outlet that is properly installed and grounded in accordance with all local codes and ordinances.

WARNING: Improper connection of the equipment-grounding conductor can result in a risk of electric shock.

Check with a qualified electrician or serviceman if you are in doubt as to whether the appliance is properly grounded. Do not modify the plug provided with the appliance – if it will not fit the outlet, have a proper outlet installed.

SAVE THESE INSTRUCTIONS



How to install your dryer

Now that you've unpacked your dryer, check to be sure you have removed the parts bag from the drum. Remove the tape that holds the drum to the cabinet. Move the drum by hand to make certain all tape has been removed. Next, wipe the interior of the drum thoroughly with a damp cloth before using the dryer.

⚠ WARNING

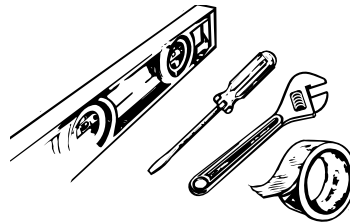
Excessive Weight Hazard

Use two or more people to move and install dryer.

Failure to do so can result in back or other injury.

Installation

For most jobs all you need are a level, duct tape, an adjustable wrench, and a screwdriver. All the parts you need are packed in the appliance. When you take them out, place them on a cloth so you won't lose them. Do not move appliance into the exact location until the following steps have been performed.

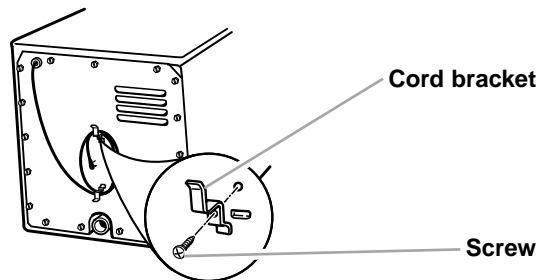


Tools needed

Installing the cord bracket

- Remove tape from the power cord and the rear panel
- Insert cord brackets into slotted holes in rear panel and secure with screws provided

NOTE: Power supply cord may be wrapped around the brackets for storage convenience when dryer is not in use.



Cord bracket

Screw

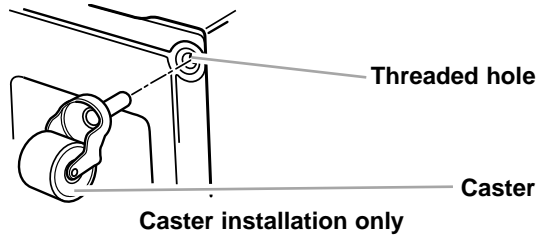
Parts supplied with the dryer:

- 1 Cycle and temperature control (timer) knob
- 1 Push to Start button
- 4 Casters
- 2 Cord brackets
- 2 Screws

Casters

To install the casters, first lay dryer on its side. Use the carton to prevent damage to the dryer. Screw casters into dryer base at four corners and tighten securely. Set dryer upright. In doing so be careful that dryer does not roll away from you.

Leveling feet (Part No. 51594200) for use in permanent installations may be purchased. See the "Assistance or Service" section.



Exhaust requirements

Your dryer must be properly vented to achieve maximum drying efficiency.

WARNING: To reduce the risk of fire, this dryer **MUST BE EXHAUSTED OUTDOORS**.

- Do not exhaust dryer into a chimney, a wall, a ceiling, or a concealed space of a building.
- The diameter of the heavy metal vent must be 4 in (10.16 cm).
- Do not use an exhaust hood with a magnetic latch.

⚠ WARNING



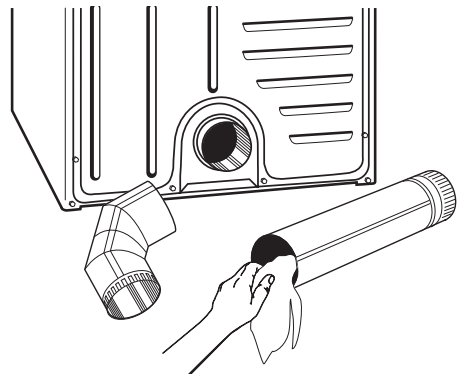
Fire Hazard

Use a heavy metal vent.
Do not use a plastic vent.
Do not use a metal foil vent.
Failure to follow these instructions can result in death or fire.

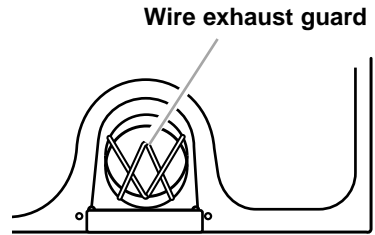
If using an existing exhaust system, remove accumulated lint.

1. Disconnect vent from the dryer and clean one section at a time until you reach the exhaust hood.
2. Use the hose attachment on your vacuum, or a pole with a feather duster or rag attached, to clean out lint.
3. Be sure the flapper on the outside end of vent moves freely. Make sure exhaust hood is not plugged with lint.

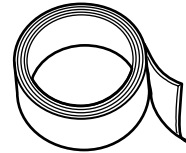
Clean exhaust vent periodically, depending on use, but at least every 2 years, or when installing your dryer in a new location.



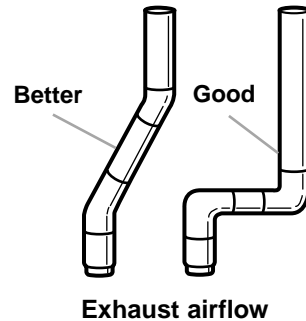
Before installing the exhaust system, be sure to remove the wire exhaust guard that is located at the exhaust outlet.



Use duct tape to seal all joints. Do not use screws to secure vent. Lint may catch on screws.

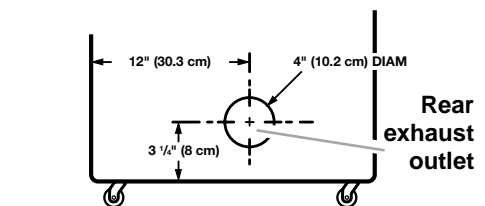


Use 4 in (10.16 cm) heavy metal vent. Do not kink or crush flexible metal vent. It must be fully extended to allow adequate exhaust air to flow. Check vent after installation.



Use the straightest path possible when routing the exhaust vent. Use the fewest number of elbows and turns. Allow as much room as possible when using elbows or making turns. Bend vent gradually to avoid kinking. Remove excess flexible vent to avoid sagging and kinking that may result in reduced airflow.

Maximum length of the exhaust system depends upon the type of vent used, number of elbows, and the type of exhaust hood. The maximum length for both heavy and flexible vent is shown on the next page. Exhaust outlet at rear of dryer is located as illustrated. Detailed instructions on spacing for side and rear clearances can be found in the "Recessed area and closet installation" section.



Determining vent length

NOTE: Check periodically to ensure that the outside exhaust hood is not blocked.

The maximum length of the exhaust system depends upon:

- The type of vent (rigid or flexible metal).
- The number of elbows (90° turns) used.

To determine maximum vent length:

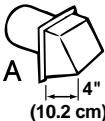
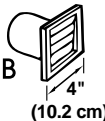
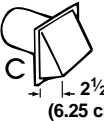
1. See the Exhaust Hood Type chart that matches your type hood for the maximum vent lengths you can use.

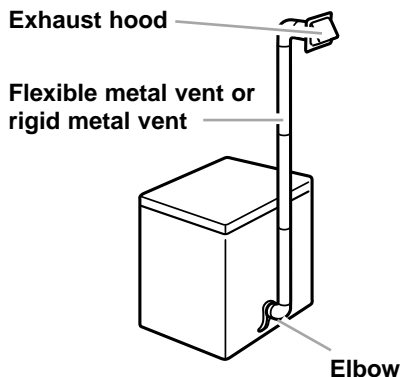
Do not use vent runs longer than specified in Exhaust Hood Type chart.

Exhaust systems longer than specified will:

- Shorten the life of the dryer.
- Reduce performance, resulting in longer drying times and increased energy usage.

2. Determine the number of elbows you will need.
3. In the column listing the type of metal vent you are using (rigid or flexible), find the maximum length of metal vent on the same line as the number of elbows.

EXHAUST HOOD TYPE			
No. of 90° turns			
	A	B	C
Rigid Metal Vent 4 in dia (10.2 cm) Maximum length			
0	36 ft (11.0 m)	36 ft (11.0 m)	26 ft (7.9 m)
1	26 ft (7.9 m)	26 ft (7.9 m)	16 ft (4.9 m)
2	16 ft (4.9 m)	16 ft (4.9 m)	6 ft (1.8 m)
Flexible Metal Vent 4 in dia (10.2 cm) Maximum length			
0	28 ft (8.5 m)	28 ft (8.5 m)	22 ft (6.7 m)
1	18 ft (5.5 m)	18 ft (5.5 m)	12 ft (3.7 m)
2	8 ft (2.8 m)	8 ft (2.8 m)	2 ft (.6 m)



Recessed area and closet installation

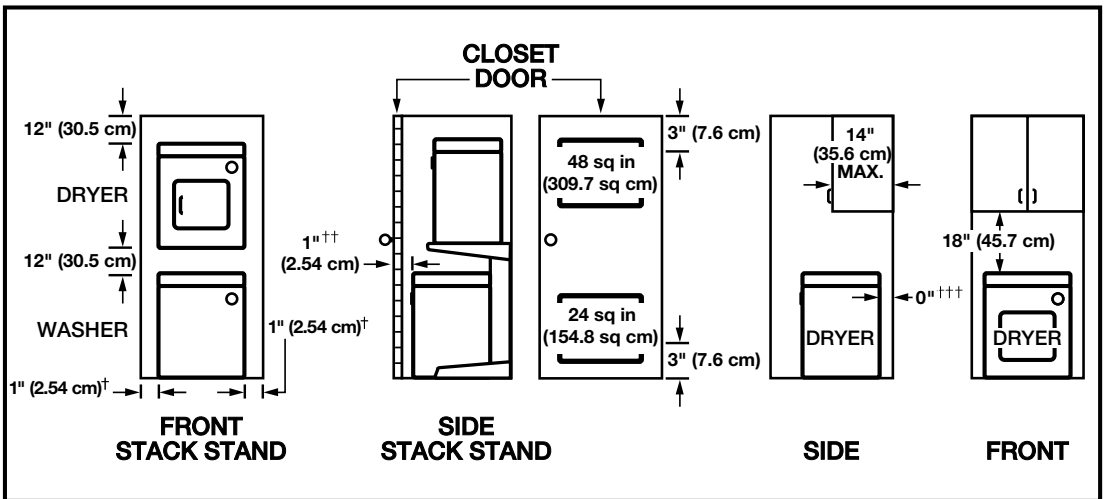
NOTE: Check codes requirements. Some codes limit or do not permit installation of clothes dryers in garages, closets, mobile homes, or sleeping quarters. Contact your local building inspector.

- This dryer may be installed in a recessed area or closet. If closet door is installed, the minimum unobstructed air openings in top and bottom are required. Louvered doors with equivalent air openings are acceptable.
- Your dryer needs a certain amount of space around it for proper ventilation and for easier installation and servicing. The following minimum installation spacings are required when the unit is to be operated with or without the Stack Stand Kit. To purchase a Stack Stand Kit, see the "Assistance or service" section. For ease of installation and service, additional spacing should be considered.

WARNING: To reduce the risk of fire, this appliance **MUST BE EXHAUSTED OUTDOORS**.

NOTE: No fuel-burning appliances may be installed in the same closet as a dryer.

Minimum installation spacing



† May be 0" (0 cm) clearance.

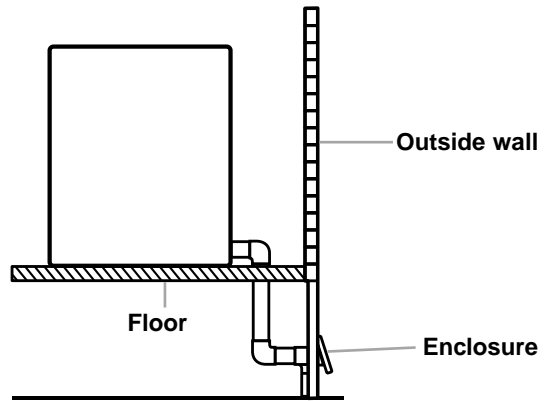
†† Opening is minimum for closet door. Louvered door with air opening is acceptable.

††† Additional space may be needed for exhaust elbow.

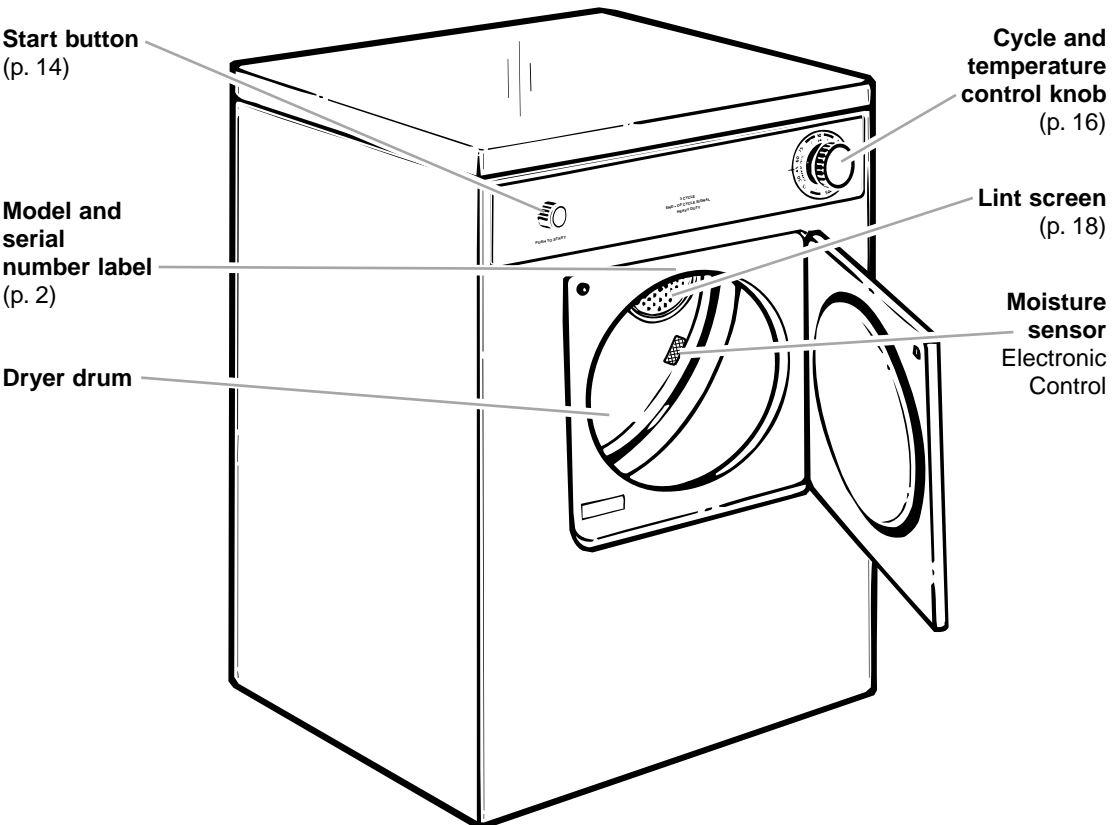
Mobile home installation

NOTE: Check codes requirements. Some codes limit or do not permit installation of clothes dryers in garages, closets, mobile homes, or sleeping quarters. Contact your local building inspector.

- The exhaust vent must be securely fastened to a non-combustible portion of the mobile home structure and must not terminate beneath the mobile home.
- The dryer exhaust vent must not be connected or secured with screw or other devices which extend into the interior of the vent.
- A kit is available to fasten the dryer securely when the mobile home is in transit. To purchase a kit, see the "Assistance or Service" section. Your dryer does not need to be secured when the mobile home is not in transit.



Parts and Features



Start button
(p. 14)

Model and serial number label
(p. 2)

Dryer drum

Cycle and temperature control knob
(p. 16)

Lint screen
(p. 18)

Moisture sensor
Electronic Control

Using Your Dryer

⚠ WARNING



Explosion Hazard

Keep flammable materials and vapors, such as gasoline, away from dryer.

Do not dry anything that has ever had anything flammable on it (even after washing).

Failure to follow these instructions can result in death, explosion, or fire.

⚠ WARNING



Fire Hazard

No washer can completely remove oil.

Do not dry anything that has ever had any type of oil on it (including cooking oils).

Items containing foam, rubber, or plastic must be dried on a clothesline or by using an Air Cycle.

Failure to follow these instructions can result in death or fire.

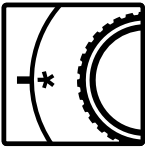
Starting your dryer

Before using your dryer, wipe the dryer drum with a damp cloth to remove dust from storing and shipping.

1. Load clothes into the dryer and close the door.



2. Turn the Cycle and Temperature Control knob either way to the desired cycle. Use the Energy Preferred Automatic Setting (*) to dry most loads (see page 16).



3. Push the Start button.



NOTE: Your dryer stops automatically when a cycle ends.

Stopping and restarting your dryer

You can stop your dryer anytime during a program.

To stop your dryer:

Open the dryer door or turn the Cycle and Temperature Control knob to OFF.

NOTE: The Cycle and Temperature Control knob should point to an Off area when the dryer is not in use.

To restart your dryer:

Close the door, select a new cycle and temperature (if desired), and push the Start button.

End of cycle signal

The dryer sounds a signal to let you know when the cycle is finished. The signal is not adjustable and cannot be turned off.

The signal is helpful when you are drying permanent press, synthetics, and other items that should be taken out as soon as the dryer stops.

Loading

Loading suggestions

This table shows the maximum load you can place in your compact dryer. Expect longer dryer times.

COMPACT DRYERS			
Heavy Work Clothes 3 work shirts 2 pair pants	Knits 2 slacks 2 shirts – or – 3 dresses	Mixed Load 1 pair slacks 2 pillowcases 2 shirts 1 T-shirt	Permanent Press 6 shirts – or – 2 double sheets 2 pillowcases – or – 2 single sheets 2 pillowcases
Towels 9 bath towels – or – 6 bath towels 3 hand towels 6 wash cloths	Delicates 1 camisole 2 slips 2 panties 2 bras 1 nightie 1 half slip		

Selecting the right cycle and setting

The following pages describe the drying cycles on your dryer. The descriptions include suggested temperature settings and drying times for various loads.

Cycle and temperature tips

- Make sure you have selected the correct cycle and temperature for your load.
- Use the Air cycle, or line dry rubber, plastic, delicate, and heat-sensitive fabrics.
- The last few minutes of all cycles are without heat to make the load cooler to handle.

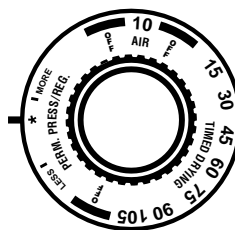
Drying tips

- Always follow care label directions when they are available.
- Always use fabric softener sheets labeled as dryer safe and follow package instructions carefully.
- Remove the load from the dryer as soon as tumbling stops to reduce wrinkling. This is especially important for permanent press, knits, and synthetic fabrics.

Automatic Permanent Press/ Regular Cycle

Dry most loads using the Energy Preferred Automatic Setting (*). Your Automatic cycle shuts off when the selected dryness is reached. The Cycle and Temperature Control knob will not move until the load is almost dry. After the cool-down, the knob automatically turns to an Off area and tumbling stops.

- If the load is drier than you like, select a setting closer to LESS the next time you dry a similar load.
- If the load is not as dry as you like, complete drying using a Timed cycle. Select a setting closer to MORE the next time you dry a similar load.

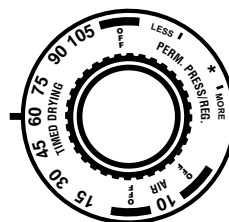


Timed Drying cycle

Use a Timed Drying cycle to complete drying if some items are damp after Automatic drying. Timed drying is also useful for:

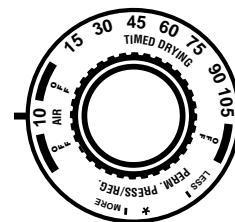
- Delicate items and small loads that need a short drying time.
- Bulky items and large loads that require a long drying time.

For a damp dry, turn the Cycle and Temperature Control knob to 30 min. or less.



Air cycle

The Air cycle has no heat. Use this unheated cycle to fluff or air dry bedding, plastic tablecloths, foam pillows, sneakers, etc. See page 17 for more information about the Air cycle.



Selecting the right cycle and setting

TYPE OF LOAD	CYCLE	TIME (minutes)
<p>COTTONS AND LINENS Extra heavy—Bedspreads, mattress pads, quilts Heavyweight—Towels, jeans, corduroys, work clothes Mediumweight—Sheets, cotton underwear, diapers Lightweight—Batistes, organdies, lingerie</p>	<p>Timed Drying Perm. Press/Reg. Perm. Press/Reg. Perm. Press/Reg.</p>	<p>90-105</p>
<p>PERMANENT PRESS, SYNTHETICS AND BLENDS Heavyweight—Work clothes, jackets, raincoats Mediumweight—Shirts, play clothes, sheets, slacks Lightweight—Lingerie, blouses, dresses</p>	<p>Perm. Press/Reg. Perm. Press/Reg. Perm. Press/Reg.</p>	
<p>KNITS Heavyweight—Cottons, rayons, blends, T-shirts, slacks, shirts Mediumweight—Synthetics (polyester, acrylic, etc.), dress slacks, skirts, sweaters Lightweight—Synthetics (polyester, acrylic, etc.) and blends, lingerie, blouses, dresses</p>	<p>Perm. Press/Reg. Perm. Press/Reg. Perm. Press/Reg.</p>	
<p>DELICATE FABRICS Sheer curtains (2 or 3 panels), gauze, lace, etc.</p>	<p>Air</p>	<p>20-30[†]</p>
<p>RUBBER, PLASTIC, HEAT-SENSITIVE FABRICS Foam rubber—Pillows, bras, stuffed toys Plastic—Shower curtains, tablecloths Rubber-backed rugs Olefin, Polypropylene, Sheer nylon</p>	<p>Air Air Air Air</p>	<p>20-30[†] 20-30[†] 40-50[†] 15-20[†]</p>
<p>COTTON AND CANVAS SHOES Place several bath towels in the dryer to act as a buffer. Remove shoes from dryer while still damp. Stretch shoes and allow to air dry.</p>	<p>Air</p>	<p>30-40[†]</p>

[†]Reset Air cycle as needed to complete drying.

Caring for Your Dryer

Cleaning the lint screen

Every load cleaning

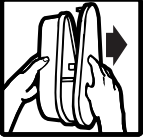
The lint screen is located inside the dryer drum, on the back wall. **Clean it before starting each load.** A screen blocked by lint can increase drying time.

To clean:

1. Open the door and pull the lint screen straight out.



2. Squeeze body of lint screen lightly while pulling the cover off.



3. Roll lint off the screen with your fingers. Do not rinse or wash screen to remove lint. Wet lint is hard to remove.
4. Replace cover on lint screen body. Push the lint screen firmly back into place and close the door.

IMPORTANT:

- Do not run the dryer with the lint screen loose, damaged, blocked, or missing. Doing so can cause overheating and damage to both the dryer and fabrics.
- Some towels made of synthetic fibers and natural fibers (polyester and cotton blends) may shed more lint than other towels, causing your dryer's lint screen to fill up faster. Be sure to remove lint from the lint screen before and after drying new towels.

As needed cleaning

Laundry detergents and fabric softeners can cause a residue buildup on the lint screen. Clean the lint screen with a nylon brush every six months or more frequently if it becomes clogged due to a residue buildup.

Use the following method:

1. Wet both sides of lint screen with hot water.
2. Wet a nylon brush with hot water and liquid detergent; scrub lint screen with the brush to remove residue buildup.
3. Rinse screen with hot water.
4. Thoroughly dry lint screen with a clean towel. Replace in dryer.



Cleaning the dryer interior

Garments which contain unstable dyes, such as denim blue jeans or brightly colored cotton items, may discolor the dryer interior. These stains are not harmful to your dryer and will not stain future loads of clothes. It is helpful to dry unstable dye items inside out to prevent dye transfer.

To clean dryer drum:

1. Make a paste with powdered laundry detergent and very warm water.
2. Apply paste to a soft cloth.

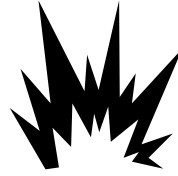
OR

Apply a liquid, non-flammable household cleaner to the stained area and rub with a soft cloth until all excess dye is removed.



3. Wipe drum thoroughly with a damp cloth.
4. Tumble a load of clean cloths or towels to dry drum.

⚠ WARNING



Explosion Hazard

Use nonflammable cleaner.

Failure to do so can result in death, explosion, or fire.

Removing accumulated lint from inside the dryer cabinet

Lint should be removed every 2 year, or more often, depending on dryer usage. Clearing should be done by a qualified person.

Troubleshooting

Common drying problems

PROBLEM	CAUSE	SOLUTION
Not drying satisfactorily	The compact dryer operates at a lower wattage.	Expect longer drying times.
	Exhaust opening is blocked.	Keep area around exhaust opening clear.
	Lint screen is clogged with lint.	Clean lint screen.
	Restricted air movement. Exhaust vent or outside exhaust hood is clogged with lint.	Run dryer for 5-10 minutes. Hold hand under outside exhaust hood to check air movement. If you do not feel air moving, clean exhaust system of lint or replace exhaust vent with heavy metal or flexible metal vent (see "Installation Instructions").
	Exhaust vent is crushed or kinked.	Replace with heavy metal or flexible metal vent (see "Installation Instructions").
	One fuse is blown or circuit breaker is tripped. The dryer will appear to operate, but you will not get any heat.	Replace fuse or reset breaker.
	Cycle and Temperature Control knob is set on the air cycle.	Select the right cycle for the types of garments being dried (see "Using Your Dryer").
	Load not contacting the sensor strips and automatic cycle ending early.	Level dryer (see "Installation Instructions").
	Fabric softener sheets blocking outlet grill.	Use only one softener sheet per load and only use it once.
	Dryer located in room with temperature below 45°F (7°C)	Move dryer where it can operate in ambient air temperatures above 45°F (7°C).
	Large amount of moisture in the load.	Expect longer dry times with items that hold more moisture (cottons).
	Cold rinse water used.	Expect longer dry times, but you are saving energy and reducing wrinkles.
	Load too large and bulky to dry quickly.	Separate load to tumble freely.
Dryer will not run	Power cord not firmly plugged into a live circuit with proper voltage.	Plug power cord into a live circuit.
	Fuses blown or circuit breakers tripped.	Replace fuses or reset breakers.
	Using a regular fuse.	Replace with a time-delay fuse.
	Dryer door not firmly closed.	Close dryer door tightly.
	Start button not firmly pressed.	Press Start button again.
	Cycle and Temperature Control knob set to OFF.	Set to a cycle or time.

Common drying problems (cont.)

PROBLEM	CAUSE	SOLUTION
Lint in load	Lint screen is clogged.	Clean lint screen. Check for air movement.
	Improper sorting.	Sort lint givers from lint takers and by color.
	Load is too big or heavy.	Dry smaller loads so lint can be carried to the lint screen.
	Load is overdried.	Use correct dryer settings for fabric. Overdrying can cause lint-attracting static (see "Using Your Dryer").
	Paper or tissue in pockets.	Clean out pockets before drying.
	Pilling being mistaken for lint.	Pilling (surface fuzz) is caused by normal wear and laundering.
Stains on load	Improper use of fabric softener in washer.	Use fabric softener sheets in dryer. Add at beginning of cycle when load is cold.
	Drying soiled items.	Items need to be clean before being dried.
	Overdrying.	Match dryer settings to fabric type (see "Using Your Dryer").
	Poor garment quality.	Check quality of garment before purchasing.
	Manufacturer's care label instructions not followed.	Follow fabric care label instructions carefully.
Items shrinking	Overloading.	Dry smaller loads that can tumble freely.
	Overdrying.	Match dryer settings to fabric type (see "Using Your Dryer").
Loads are wrinkled	Load left in dryer at the end of cycle.	Remove load as soon as tumbling stops.
Odors	Household chemicals, paint, or varnish being drawn into dryer.	Do not use dryer while these chemical fumes are in the air.
	First use of dryer element	Will be gone after the first cycle.
Unusual sounds	Thumping of rollers when dryer has not been used for a while.	Thump will go away after 5 minutes of drying.

Assistance or Service

If you need assistance or service in the U.S.A.

Call our Consumer Assistance Center at



1-800-253-1301. Our consultants are available to assist you.

When calling:

Please know the purchase date, and the complete model and serial number of your appliance (see "A Note to You" section). This information will help us better respond to your request.

Our consultants provide assistance with:

- Features and specifications on our full line of appliances
- Installation information
- Use and maintenance procedures

- Accessory and repair parts sales
- Specialized customer assistance (Spanish speaking, hearing impaired, limited vision, etc.)
- Referrals to local dealers, service companies, and repair parts distributors.

Whirlpool designated service technicians are trained to fulfill the product warranty and provide after-warranty service, anywhere in the United States.

To locate the designated service company in your area, you can also look in your telephone directory Yellow Pages.

If you need replacement parts

If you need to order replacement parts, we recommend that you only use FSP* factory specified parts. These parts will fit right and work right, because they are made to the same exacting specifications used to build every new WHIRLPOOL* appliance.

To locate FSP replacement parts in your area, call our Consumer Assistance Center or your nearest Whirlpool designated service center.

For further assistance

If you need further assistance, you can write to us with any questions or concerns at:

Whirlpool Corporation
Consumer Assistance Center
c/o Correspondence Dept.
2000 North M-63
Benton Harbor, MI 49022-2692

Please include a daytime phone number in your correspondence.

If you need assistance or service in Canada

1. If the problem is not due to one of the items listed in "Troubleshooting"†...

Contact the dealer from whom you purchased your appliance, or call the Inglis Limited Consumer Relations Center toll free, **8:30 a.m. – 6 p.m. (EST)**, at **1-800-461-5681**.



2. If you need service†...

Contact Inglis Limited from anywhere in Canada at **1-800-807-6777**.

†When asking for assistance or service, please provide a detailed description of the problem, your appliance's complete model and serial numbers, and the purchase date. (See the "A Note to You" section.) This information will help us respond properly to your request.

If you need replacement parts

If you need to order replacement parts, we recommend that you only use FSP* factory specified parts. These parts will fit right and work right, because they are made to the same exacting specifications used to build every new WHIRLPOOL* appliance.

To locate FSP replacement parts in your area, call your nearest designated service center.

For further assistance

If you need further assistance, you can write to Inglis Limited with any questions or concerns at:

Consumer Relations Center
Inglis Limited
1901 Minnesota Court
Mississauga, Ontario L5N 3A7

Please include a daytime phone number in your correspondence.

WHIRLPOOL*

Dryer Warranty

LENGTH OF WARRANTY	COVERED BY WARRANTY
FULL ONE-YEAR WARRANTY FROM DATE OF PURCHASE	FSP* replacement parts and repair labor to correct defects in materials or workmanship. Service must be provided by a Whirlpool designated service company.
NOT COVERED BY WARRANTY	
<p>A. Service calls to:</p> <ol style="list-style-type: none"> 1. Correct the installation of your dryer, including venting. Heavy 4 in (10.16 cm) metal exhaust vent must be used. Refer to the "Installation Instructions" in this Use and Care Guide. 2. Instruct you how to use your dryer, to replace house fuses or reset circuit breakers, or to replace owner accessible light bulbs. <p>B. Repairs when your dryer is used in other than normal, single-family household use.</p> <p>C. Damage to your dryer caused by accident, alteration, misuse, abuse, fire, flood, acts of God, improper installation (including, but not limited to, venting with plastic or flexible foil), or installation not in accordance with local electrical and plumbing codes.</p> <p>D. Replacement parts or repair labor costs for units operated outside the United States and Canada.</p> <p>E. Pick up and delivery. This product is designed to be repaired in the home.</p> <p>F. Repairs to parts or systems resulting from unauthorized modifications made to the appliance.</p> <p>G. In Canada, travel or transportation expenses for customers who reside in remote areas.</p>	

2/99

WHIRLPOOL CORPORATION AND INGLIS LIMITED SHALL NOT BE LIABLE FOR INCIDENTAL OR CONSEQUENTIAL DAMAGES. Some states and provinces do not allow the exclusion or limitation of incidental or consequential damages, so this exclusion or limitation may not apply to you. This warranty gives you specific legal rights, and you may also have other rights which vary from state to state or province to province.

Outside the United States, a different warranty may apply. For details, please contact your authorized Whirlpool dealer.

If you need assistance or service, first see the "Troubleshooting" section of this book. After checking "Troubleshooting," additional help can be found by checking the "Assistance or Service" section. In the U.S.A., call our Consumer Assistance Center at **1-800-253-1301**.

For warranty information in Canada:

Please contact your authorized Whirlpool dealer, or call the Consumer Relations Center at **1-800-461-5681** (toll free) between 8:30 a.m. and 6 p.m. EST from anywhere in Canada.

For assistance or service in Canada:

If you need assistance or service in Canada, first see the "Troubleshooting" section of this book. After checking "Troubleshooting," additional help can be found by checking the "Assistance or Service" section, or by calling **1-800-461-5681**.



G U I D E

d'utilisation et d'entretien

Sécheuses électriques compactes 120 V

Note à l'utilisateur	2
Sécurité de la sécheuse	3
Instructions d'installation	5
Pièces et caractéristiques	13
Utilisation de la sécheuse	14
Mise en marche de la sécheuse	14
Signal de fin de programme	15
Chargement	15
Sélection du programme approprié et réglage	15
Entretien de la sécheuse	18
Dépannage	20
Assistance ou service	22
Garantie	24

1-800-461-5681

Téléphoner si vous avez des questions
ou commentaires.



Note à l'utilisateur

Merci pour votre achat d'un appareil ménager WHIRLPOOL*.

La marque Whirlpool fait partie d'un engagement à fournir des produits de qualité de rendement constant pour vous rendre la vie plus facile. Pour vous assurer des années de fonctionnement sans ennui, nous avons mis au point ce Guide d'utilisation et d'entretien. Il contient une foule de renseignements qui vous aident à utiliser et à faire l'entretien de votre appareil convenablement et en sécurité. Veuillez lire ces renseignements attentivement.

Veuillez aussi remplir et retourner la carte **d'inscription du produit**, fournie avec votre appareil. Cette carte nous aidera à vous tenir au courant de tout nouveau renseignement au sujet de votre appareil ménager.

Veuillez inscrire les renseignements concernant votre modèle.

Si jamais vous avez besoin de service pour votre appareil ménager, vous devrez connaître le numéro de modèle et le numéro de série. Ces renseignements sont indiqués sur la plaque signalétique indiquant le numéro de modèle et le numéro de série (voir schéma à la section "Pièces et caractéristiques" pour l'emplacement).

Veuillez également inscrire la date d'achat de votre appareil ménager ainsi que les nom, adresse et numéro de téléphone de votre marchand.

Numéro de modèle _____

Numéro de série _____

Date d'achat _____

Nom du marchand _____

Adresse du marchand _____

Téléphone du marchand _____

Conservez cette brochure et la facture de vente en lieu sûr pour référence ultérieure.

**Le numéro du Centre
d'assistance aux consommateurs
est sans frais.**

1-800-461-5681

Pour trouver des renseignements détaillés au sujet du produit, l'emplacement le marchand ou le centre de service désigné Whirlpool le plus proche, pour acheter un accessoire ou inscrire votre appareil en ligne, veuillez rendre visite à notre site web www.whirlpool.com/canada

Sécurité de la sècheuse

Votre sécurité et celle des autres est très importante.

Nous donnons de nombreux messages de sécurité importants dans ce manuel et sur votre appareil ménager. Assurez-vous de toujours lire tous les messages de sécurité et de vous y conformer.



Voici le symbole d'alerte de sécurité.

Ce symbole d'alerte de sécurité vous signale les dangers susceptibles de causer le décès et des blessures graves à vous et à d'autres.

Tous les messages de sécurité seront précédés du symbole d'alerte de sécurité et du mot "DANGER" ou "AVERTISSEMENT". Ces mots signifient :

⚠ DANGER

Risque certain de décès ou de blessure grave si vous ne suivez pas les instructions.

⚠ AVERTISSEMENT

Risque possible de décès ou de blessure grave si vous ne suivez pas les instructions.

Tous les messages de sécurité identifient le danger et vous disent comment réduire le risque de blessure et ce qui peut se produire en cas de non-respect de ces instructions.

IMPORTANTES INSTRUCTIONS DE SÉCURITÉ

AVERTISSEMENT : Pour réduire le risque d'incendie, de choc électrique ou de blessure lors de l'utilisation de la sècheuse, il convient d'observer certaines précautions élémentaires dont les suivantes :

- Lire toutes les instructions avant d'utiliser la sècheuse.
- Ne pas placer des articles exposés aux huiles de cuisson dans votre sècheuse. Les articles contaminés par des huiles de cuisson peuvent contribuer à une réaction chimique qui pourrait causer à la charge de s'enflammer.
- Ne pas faire sécher des articles dans la machine qui ont déjà été nettoyés, lavés, imbibés ou tachés d'essence, de solvants pour nettoyage à sec, d'autres substances inflammables, ou de substances explosives puisqu'elles dégagent des vapeurs qui peuvent provoquer un incendie ou une explosion.
- Ne pas permettre à des enfants de jouer avec ou de monter sur ou à l'intérieur de la sècheuse. Une surveillance étroite est nécessaire lorsque la sècheuse est utilisée près d'eux.
- Avant de retirer la sècheuse du service ou de la jeter, enlever la porte du compartiment de séchage.
- Ne pas mettre la main dans la sècheuse si le tambour est en mouvement.
- Ne pas installer ou entreposer la sècheuse où elle sera exposée aux intempéries.
- Ne pas jouer avec les commandes.
- Ne pas réparer ni remplacer une pièce de la sècheuse ou essayer d'en faire l'entretien à moins d'une recommandation spécifique dans le guide d'utilisation et d'entretien, ou publiée dans les instructions de réparation par l'utilisateur que vous comprenez et pouvez exécuter avec compétence.
- Ne pas utiliser un produit assouplissant de tissu ou des produits pour éliminer la statique à moins qu'ils soient recommandés par le fabricant du produit assouplissant de tissu ou du produit.
- Ne pas utiliser la chaleur pour faire sécher des articles fabriqués avec du caoutchouc mousse ou des matériaux semblables.
- Nettoyer le filtre à charpie avant et après chaque charge.
- Ne pas laisser la charpie, la poussière ou la saleté s'accumuler autour du système d'évacuation ou autour de l'appareil.
- Un nettoyage périodique de l'intérieur de la sècheuse et du conduit d'évacuation doit être effectué par une personne qualifiée.
- Voir les instructions d'installation pour les exigences de liaison de l'appareil à la terre.

CONSERVEZ CES INSTRUCTIONS

IMPORTANT : Observer tous les codes et règlements.

Instructions d'installation

Lire la section "Sécurité de la sècheuse" dans le Guide d'utilisation et d'entretien de la sècheuse, et lire totalement ces instructions d'installation avant d'entreprendre l'installation.

Avant de commencer l'installation

⚠ AVERTISSEMENT

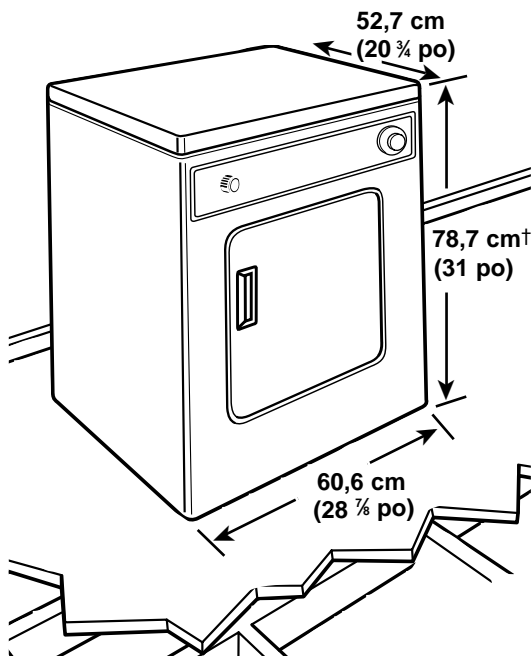


Risque d'explosion

Garder les matières et les vapeurs inflammables, telle que l'essence, loin de la sècheuse.

Placer la sècheuse au moins 46 cm (18 po) au-dessus du plancher pour une installation dans un garage.

Le non-respect de ces instructions peut causer un décès, une explosion ou un incendie.



† La hauteur avec les roulettes est de 82,6 cm (32-1/2 po).

- **Inspecter l'emplacement** où la sècheuse sera installée. C'est à l'installateur qu'incombe la responsabilité d'une installation correcte. On ne doit pas installer la sècheuse ni la remettre à un endroit où elle sera exposée à de l'eau ou aux intempéries. Vérifier que tout le matériel nécessaire pour une installation correcte est disponible.
- **Une prise de courant électrique reliée à la terre** est nécessaire. Voir "Spécifications de l'alimentation électrique".
- **Un conduit d'évacuation métallique de quatre pouces est nécessaire.** Voir "Spécifications d'évacuation de l'air".
- **Étudier les codes en vigueur** : certains codes ne permettent pas ou limitent l'installation d'une sècheuse dans un garage, un placard, une résidence mobile ou une pièce utilisée comme chambre à coucher. Contacter à ce sujet l'inspecteur local des bâtiments.
- **Protection contre les intempéries** : Le fonctionnement correct de la sècheuse nécessite une température supérieure à 7°C (45°F); sinon la sècheuse peut ne pas s'arrêter lors de l'utilisation d'un programme de séchage automatique.
- **Support** : Il faut que le plancher soit suffisamment robuste pour supporter le poids de 50 kg (110 lb) de la sècheuse.
- **Emplacement** : L'emplacement d'installation doit être suffisamment spacieux pour qu'on puisse complètement ouvrir la porte de la sècheuse. Voir "Installation dans un encastrement ou dans un placard" pour les dégagements minimums requis.
- **Aplomb** : Pente maximum de 2,5 cm (1 po) sous toute la sècheuse.

REMARQUE : Respecter les prescriptions des codes et règlements en vigueur.

Spécifications de l'alimentation électrique

⚠ AVERTISSEMENT



Risque de choc électrique

Brancher sur une prise à 3 alvéoles reliée à la terre.

Ne pas enlever la broche de liaison à la terre.

Ne pas utiliser un adaptateur.

Ne pas utiliser un câble de rallonge.

Le non-respect de ces instructions peut causer un décès, un incendie ou un choc électrique.

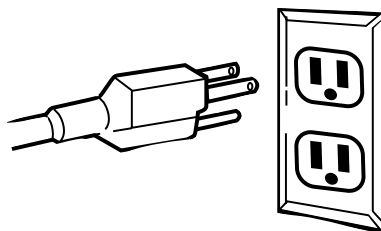
- L'appareil doit être alimenté par un circuit de 120 V, 60 Hz, CA seulement, de 15 ou 20 ampères, protégé par fusible.
- On recommande l'emploi d'un disjoncteur ou fusible temporisé. S'assurer que le fusible ou disjoncteur correspond à la tension du câble d'alimentation.
- Utiliser un circuit distinct n'alimentant que la sècheuse.
- Ne pas utiliser un câble de rallonge.

INSTRUCTIONS DE LIAISON À LA TERRE

Cet appareil doit être relié à la terre. Dans le cas d'un fonctionnement défectueux ou d'une panne, la liaison à la terre réduira le risque de choc électrique en fournissant une voie de moindre résistance pour le courant électrique. Cet appareil électroménager est équipé d'un cordon avec un conducteur pour relier les appareils à la terre et d'une fiche de liaison à la terre. Le cordon d'alimentation électrique doit être branché sur une prise appropriée, installée et reliée à la terre conformément aux codes et règlements locaux.

AVERTISSEMENT - La connexion incorrecte du conducteur pour relier les appareils à la terre peut causer le risque de choc électrique. Vérifier avec un électricien compétent ou un représentant de service si vous avez des doutes si l'appareil électroménager est correctement relié à la terre. Ne pas modifier la fiche sur le cordon d'alimentation électrique; si elle n'entre pas dans la prise, faire installer une prise appropriée par un électricien compétent.

CONSERVEZ CES INSTRUCTIONS



Installation de la sècheuse

Après avoir déballé la sècheuse, retirer du tambour l'emballage de pièces qui s'y trouve. Enlever les rubans adhésifs qui relient le tambour à la caisse. Faire tourner le tambour à la main pour vérifier que tous les rubans adhésifs ont été enlevés. Essuyer ensuite la surface interne du tambour avec un chiffon humide avant d'utiliser la sècheuse.

⚠ AVERTISSEMENT

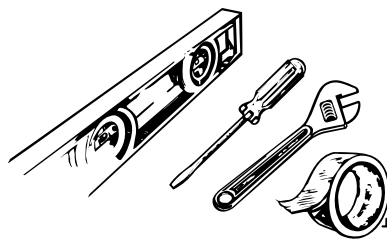
Risque du poids excessif

Utiliser deux ou plus de personnes pour déplacer et installer la sècheuse.

Le non-respect de cette instruction peut causer une blessure au dos ou d'autre blessure.

Installation

Dans la plupart des situations, on doit disposer d'un niveau, de ruban adhésif pour conduit d'air, d'une clé à molette et d'un tournevis. Toutes les pièces nécessaires sont fournies avec l'appareil. Retirer les pièces de leur emballage et les placer sur un linge, pour ne pas les perdre. Ne pas placer l'appareil à l'emplacement exact où il sera utilisé avant d'avoir exécuté les étapes suivantes.

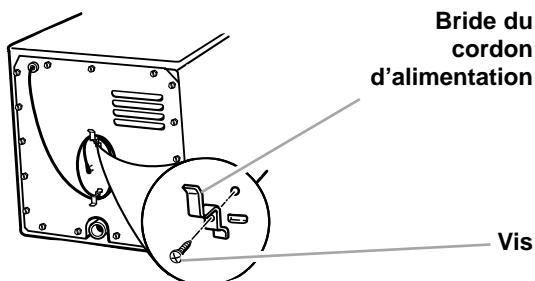


Outillage nécessaire

Installation des brides du cordon d'alimentation

- Enlever le ruban adhésif du cordon d'alimentation et du panneau arrière.
- Insérer les brides du cordon d'alimentation dans les ouvertures d'installation dans le panneau arrière; fixer ces brides avec les vis fournies.

REMARQUE : Lorsque la sècheuse n'est pas utilisée, on peut enrouler le cordon d'alimentation sur ces brides; c'est un système de rangement pratique.



Bride du cordon d'alimentation

Vis

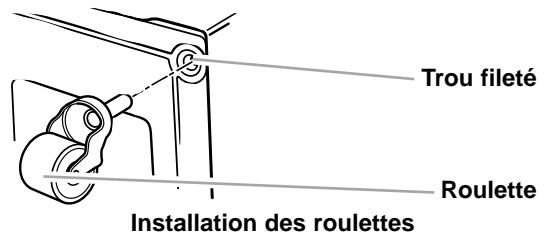
Pièces fournies avec la sècheuse :

- 1 bouton de sélection de programme et de température (minuterie)
- 1 bouton de mise en marche
- 4 roulettes
- 2 brides pour cordon d'alimentation
- 2 vis

Roulettes

Pour installer les roulettes, faire reposer la sècheuse sur un côté. Placer une feuille de carton sous la sècheuse pour ne pas l'endommager. Visser les roulettes dans les quatre coins de la base de la sècheuse; bien serrer. Replacer la sècheuse verticalement. À cette occasion, veiller à ne pas laisser la sècheuse s'éloigner sur ses roulettes.

On peut acheter des pieds de nivellement (pièce n° 51594200) pour utilisation dans les installations permanentes. Voir la section "Assistance ou service".



Spécifications d'évacuation de l'air

La sècheuse doit être munie d'un système adéquat d'évacuation de l'air pour donner une efficacité maximale de séchage.

AVERTISSEMENT : Pour réduire le risque d'incendie, cet appareil DOIT AVOIR UN CONDUIT D'ÉVACUATION VERS L'EXTÉRIEUR.

- Ne pas évacuer l'air d'une sècheuse dans une cheminée, un mur, un plafond ou un espace dissimulé d'un édifice.
- Le diamètre d'un conduit d'évacuation en métal lourd doit mesurer 10,16 cm (4 po).
- Ne pas utiliser un clapet d'évacuation avec fermeture magnétique.

Si on utilise un système d'évacuation existant, enlever la charpie.

1. Déconnecter le conduit d'évacuation de la sècheuse et nettoyer une section à la fois jusqu'au clapet d'évacuation.
2. Utiliser le tuyau d'un aspirateur, ou un manche auquel vous avez fixé une brosse ou un chiffon, pour enlever la charpie.
3. S'assurer que le clapet à l'extrémité extérieure du conduit d'évacuation fonctionne librement. S'assurer que le clapet d'évacuation n'est pas obstrué par la charpie.

⚠ AVERTISSEMENT

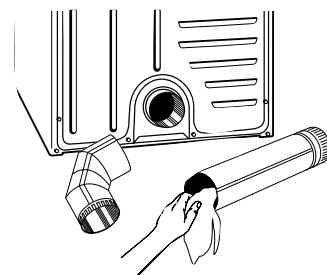


Risque d'explosion

Garder les matières et les vapeurs inflammables, telle que l'essence, loin de la sècheuse.

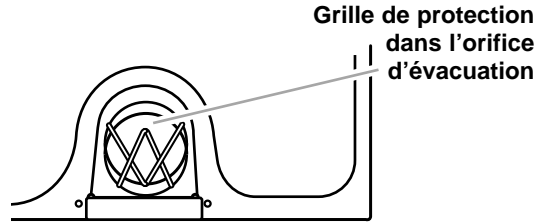
Ne pas faire sécher un article qui a déjà été touché par un produit inflammable (même après un lavage).

Le non-respect de ces instructions peut causer un décès, une explosion ou un incendie.



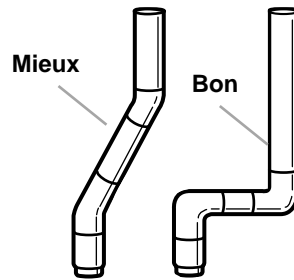
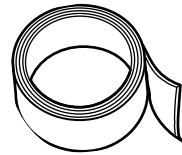
Nettoyer périodiquement le conduit d'évacuation, selon l'utilisation, mais au moins à tous les 2 ans, ou lors de l'installation de la sécheuse à un nouvel endroit.

Avant d'installer le système d'évacuation, veiller à enlever la grille de protection située dans l'orifice d'évacuation de la sécheuse.



Sceller chaque joint avec du ruban adhésif pour conduit. Ne pas utiliser de vis pour fixer le conduit d'évacuation. La charpie risque de s'accrocher aux vis.

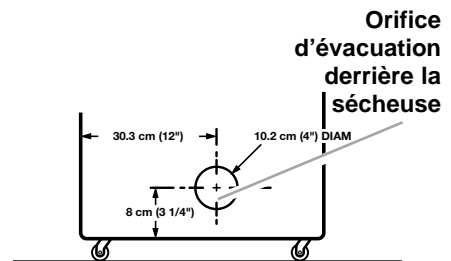
Utiliser un conduit d'évacuation en métal lourd de 10,16 cm (4 po) de diamètre. Ne pas déformer ou écraser le conduit d'évacuation en métal flexible. Il doit être complètement déployé pour permettre l'évacuation adéquate de l'air. Vérifier le système d'évacuation après l'installation.



Débit d'air de décharge

Utiliser le moins possible de coudes et de virages. Utiliser l'acheminement le plus rectiligne possible lors de l'installation du conduit d'évacuation. Accorder autant d'espace que possible lors de l'utilisation de coudes ou de virages. Plier le conduit graduellement pour éviter de le déformer. Enlever tout excès de conduit flexible pour éviter tout affaissement/déformation qui pourrait réduire la capacité de décharge. La longueur maximale du circuit d'évacuation dépend du type de conduit d'évacuation utilisé, du nombre de coudes et du type de clapet d'évacuation. La longueur maximale pour le conduit lourd ou flexible apparaît à la page suivante.

L'illustration indique la position de l'orifice d'évacuation à l'arrière de la sécheuse. On trouve à la section "Installation dans un encastrement ou dans un placard" les instructions détaillées concernant les dégagements de sécurité à ménager sur le côté et à l'arrière.



Détermination de la longueur du conduit d'évacuation

REMARQUE : Inspecter périodiquement le système pour vérifier que la hotte d'évacuation extérieure n'est pas obstruée.

La longueur maximale du système d'évacuation dépend de plusieurs facteurs :

- Le type de conduit (métal rigide ou flexible).
- Le nombre de coudes à 90° incorporés au circuit.

Détermination de la longueur maximale du conduit :

1. Consulter le tableau correspondant au type de hotte d'évacuation utilisé pour déterminer la longueur maximale du conduit utilisable.

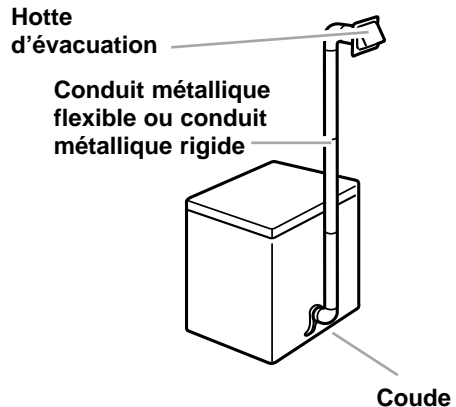
Ne pas installer un conduit de longueur supérieure à la valeur spécifiée dans le tableau.

Si la longueur du circuit est supérieure à la valeur spécifiée dans le tableau, on observera :

- Réduction de la longévité de la sècheuse.
- Réduction du rendement, avec temps de séchage plus long et plus grande consommation d'énergie.

2. Déterminer le nombre de coudes nécessaires.
3. Dans la colonne correspondant au type de conduit métallique utilisé (rigide ou flexible), identifier la longueur maximale de conduit métallique sur la ligne correspondant au nombre de coudes.

Nbre de coudes à 90°	TYPE DE HOTTE D'ÉVACUATION		
	A 10,2 cm (4 po)	B 10,2 cm (4 po)	C 6,25 cm (2½ po)
	Conduit métallique rigide, dia. 10,2 cm (4 po) Longueur maximum		
0	11,0 m (36 pi)	11,0 m (36 pi)	7,9 m (26 pi)
1	7,9 m (26 pi)	7,9 m (26 pi)	4,9 m (16 pi)
2	4,9 m (16 pi)	4,9 m (16 pi)	1,8 m (6 pi)
	Conduit métallique flexible, dia. 10,2 cm (4 po) Longueur maximum		
0	8,5 m (28 pi)	8,5 m (28 pi)	6,7 m (22 pi)
1	5,5 m (18 pi)	5,5 m (18 pi)	3,7 m (12 pi)
2	2,8 m (8 pi)	2,8 m (8 pi)	0,6 m (2 pi)



Installation dans un encastrement ou dans un placard

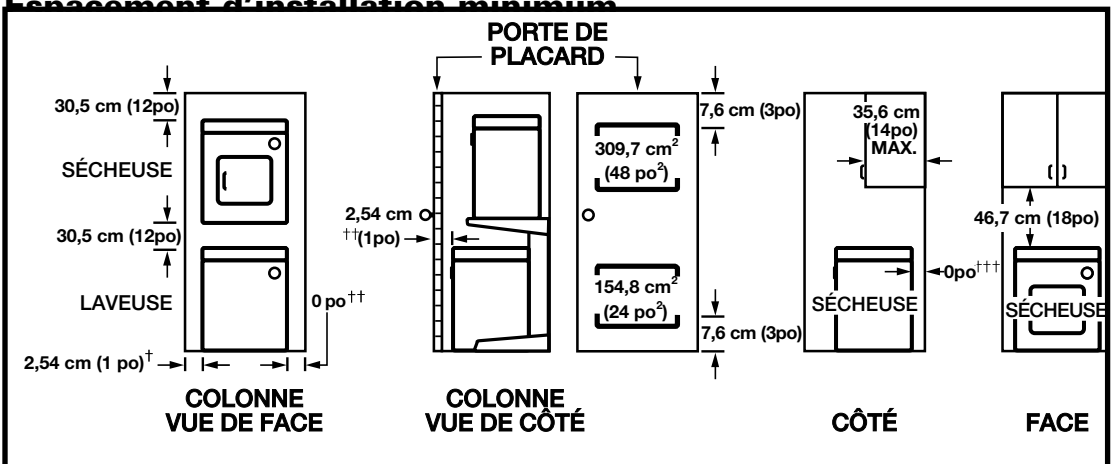
REMARQUE : Vérifier les exigences des codes. Certains codes limitent ou interdisent l'installation d'une sècheuse à linge dans les garages, placards, maisons mobiles ou dortoirs. Consulter l'inspecteur local des bâtiments.

- Cette sècheuse peut être installée dans un placard ou un encastrement. Si la porte du placard est installée, on doit prévoir une surface minimale de passage de l'air, en haut et en bas de la porte. Des portes à claire-voie fournissant une surface équivalente de passage d'air en haut et en bas, sont acceptables.
- Pour qu'il y ait une ventilation adéquate et pour faciliter l'installation et l'entretien, il convient qu'un certain espace soit laissé libre autour de la sècheuse. Lorsque l'appareil sera utilisé avec ou sans la console de support, on doit prévoir les dégagements de sécurité dont l'espace minimal est indiqué ci-dessous. On peut laisser des dégagements de sécurité de plus grande dimension pour faciliter l'installation et les opérations d'entretien.

AVERTISSEMENT : Pour réduire le risque d'incendie, cet appareil DOIT AVOIR UN CONDUIT D'ÉVACUATION VERS L'EXTÉRIEUR.

REMARQUE : Aucun autre appareil ménager à combustion ne doit être installé au même endroit qu'une sècheuse.

Encastrement d'installation minimum



† Possibilité d'écart de 0 cm.

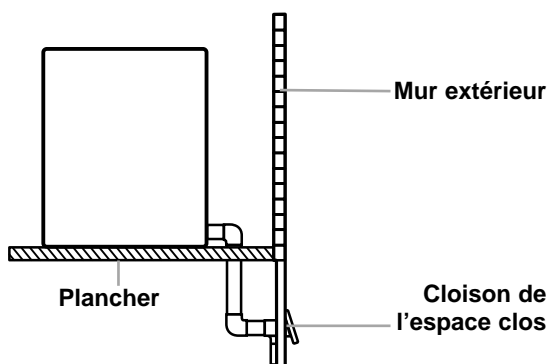
†† Ouverture minimale pour la porte du placard. Une porte à claire-voie offrant une surface équivalente de passage de l'air est acceptable.

††† Un espace de plus grande dimension peut être nécessaire pour un coude le conduit d'évacuation.

Installation pour habitations mobiles

REMARQUE : Vérifier les exigences des codes. Certains codes limitent ou interdisent l'installation d'une sécheuse à linge dans les garages, placards, maisons mobiles ou dortoirs. Consulter l'inspecteur local des bâtiments.

- Le conduit d'évacuation doit être fixé solidement à une partie non combustible de la structure de l'habitation mobile et ne doit pas se terminer sous l'habitation mobile.
- Le conduit d'évacuation de la sécheuse ne doit pas être connecté ni fixé avec des vis ou autres dispositifs qui pénètrent à l'intérieur du conduit.
- Un ensemble de pièces est disponible au magasin de pièces le plus proche pour l'arrimage adéquat de la sécheuse au cours d'un déplacement de la résidence mobile. Pour se procurer une trousse, voir la section "Assistance ou service". Il n'est pas nécessaire que la sécheuse soit arrimée lorsque la résidence mobile est stationnée.



Pièces et caractéristiques

Bouton de mise en marche
(p. 14)

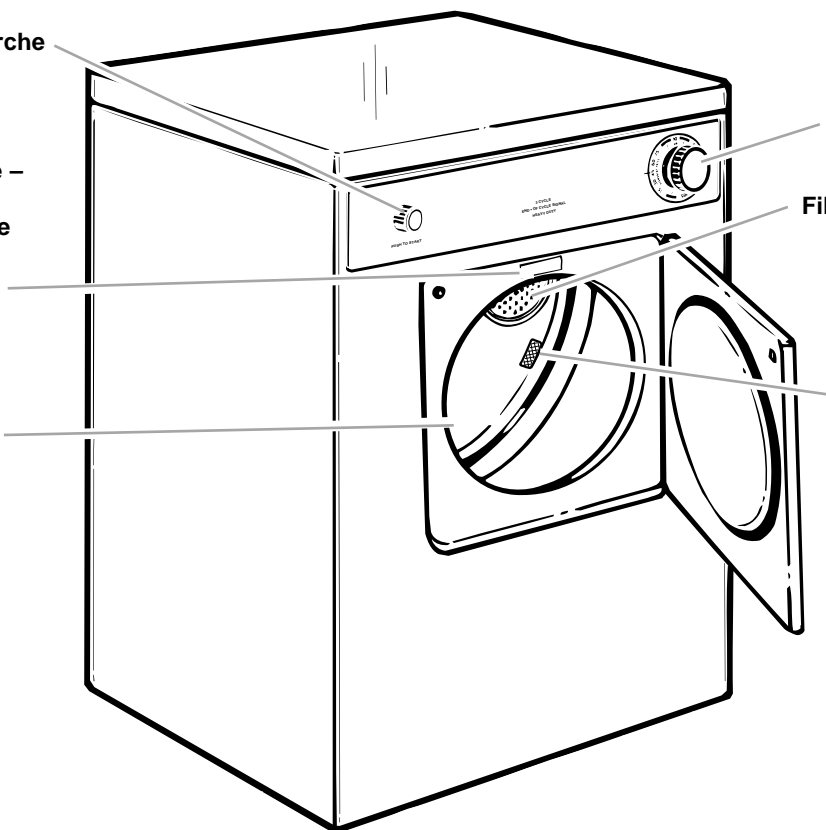
Plaque signalétique – numéros de modèle et de série
(p. 2)

Tambour de la sècheuse

Bouton de sélection programme/ température
(p. 16)

Filtre à charpie
(p. 18)

Détecteur d'humidité
Dispositif de réglage électronique



Utilisation de la sècheuse

⚠ AVERTISSEMENT



Risque d'explosion

Garder les matières et les vapeurs inflammables, telle que l'essence, loin de la sècheuse.

Ne pas faire sécher un article qui a déjà été touché par un produit inflammable (même après un lavage).

Le non-respect de ces instructions peut causer un décès, une explosion ou un incendie.

⚠ AVERTISSEMENT



Risque d'incendie

Aucune laveuse ne peut complètement enlever l'huile.

Ne pas faire sécher des articles qui ont été salis par tout genre d'huile (y compris les huiles de cuisson).

Les articles contenant mousse, caoutchoucou plastique doivent être séchés sur une corde à linge ou par le programme de séchage à l'air.

Le non-respect de ces instructions peut causer un décès ou un incendie.

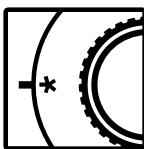
Mise en marche de la sècheuse

Avant d'utiliser la sècheuse, essuyer la surface interne du tambour avec un linge humide pour enlever toute la poussière qui a pu s'introduire au cours du transport ou de l'entreposage.

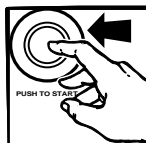
1. Charger les articles à sécher dans la sècheuse et fermer la porte.



2. Faire tourner le bouton de sélection de programme dans un sens ou dans l'autre pour sélectionner le programme désiré. Utiliser le programme de séchage automatique "Energy Preferred" pour le séchage de la plupart des charges (voir page 16).



3. Appuyer sur le bouton de mise en marche.



REMARQUE : La sècheuse s'arrête automatiquement à la fin du programme.

Arrêt et remise en marche de la sècheuse

On peut arrêter la sècheuse à tout moment au cours d'un programme.

Pour arrêter la sècheuse :

Ouvrir la porte de la sècheuse. ou ramener le bouton de sélection de programme à la position d'arrêt (OFF).

REMARQUE : Lorsque la sècheuse n'est pas utilisée, le repère du bouton de sélection de programme devrait être placé devant une zone d'arrêt (OFF).

Remise en marche de la sècheuse :

Fermer la porte, faire une nouvelle sélection de programme/température (si on le désire), et appuyer sur le bouton de mise en marche (Start).

Signal de fin de programme

La sècheuse émet un signal sonore qui indique à l'utilisateur la fin du programme. Le signal n'est pas réglable et on ne peut désactiver cette fonction.

Ce signal est utile lors du séchage d'articles à pressage permanent ou synthétiques, et d'autres articles que l'on devrait retirer de la sècheuse dès qu'elle s'arrête.

Chargement

Suggestions de chargement

Ce tableau indique la charge maximale à introduire dans la sècheuse compacte. Prévoir des durées de séchage plus longues.

SÉCHEUSES COMPACTES			
Vêtements de travail épais 3 chemises de travail 2 pantalons	Tricots 2 pantalons 2 chemises – ou – 3 robes	Charge mixte 1 pantalon 2 taies d'oreillers 2 chemises 1 T-shirt	Pressage permanent 6 chemises – ou – 2 draps doubles 2 taies d'oreillers – ou – 2 draps simples 2 taies d'oreillers
Serviettes 9 serviettes de bain – ou – 6 serviettes de bain 3 serviettes à main 6 débarbouillettes	Articles délicats 1 camisole 2 jupons 2 culottes 2 soutiens-gorge 1 chemise de nuit 1 demi-jupon		

Sélection du programme approprié et réglage

Les pages suivantes décrivent les programmes de séchage de la sècheuse. Les descriptions comprennent des suggestions de réglage de la température et de la durée de séchage pour diverses charges.

Conseils sur les programmes et la température

- S'assurer que vous avez choisi le programme et la température corrects pour votre charge.
- Utiliser le programme de Séchage à l'air (Air) ou faire sécher sur une corde les articles en caoutchouc, plastique, délicats et sensibles à la chaleur.
- Les dernières minutes de tous les programmes sont sans chaleur afin que la charge soit moins chaude à manipuler.

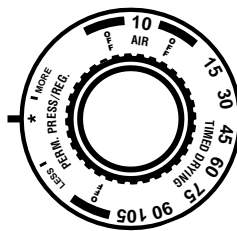
Conseils de séchage

- Suivre les instructions sur les étiquettes d'entretien des articles à faire sécher, si elles sont disponibles.
- Si vous utilisez des feuilles d'assouplissant de tissus, toujours utiliser des feuilles d'assouplissant de tissus qui sont étiquetées pour sècheuse, et suivre attentivement les instructions sur l'emballage.
- Retirer la charge de la sècheuse dès l'arrêt du culbutage pour réduire le froissement. Cette directive est particulièrement importante pour les articles de pressage permanent, les tricots et les tissus synthétiques.

Programmes automatiques Pressage permanent/régulier

Pour le séchage de la plupart des charges, utiliser le réglage automatique Energy Preferred (*). Les programmes de séchage automatique commandent automatiquement l'arrêt du séchage lorsque le niveau d'assèchement choisi est atteint. Le bouton de sélection de programme ne tourne pas avant que la charge soit presque sèche. Après le refroidissement, le bouton tourne automatiquement jusqu'à la position d'arrêt (OFF), et le culbutage cesse.

- Si le linge de la charge est plus sec que désiré, choisir pour le séchage de la prochaine charge similaire une position de réglage plus proche de LESS (MOINS).



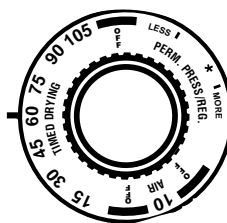
- Si le linge de la charge n'est pas aussi sec que désiré, poursuivre le séchage à l'aide du programme de Séchage minuté. Lors du prochain séchage d'une charge similaire, sélectionner un réglage plus proche de MORE (PLUS).

Programme(s) Minuté(s)

Utiliser un programme de séchage minuté pour terminer le séchage de certains articles qui sont encore humides après un programme de séchage automatique. Le séchage minuté est également utile pour :

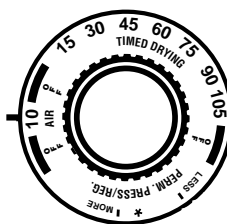
- Articles délicats et petites charges, pour lesquels une brève période de séchage suffit.
- Articles volumineux et charges importantes nécessitant une longue durée de séchage.

Pour garder le linge humide, sélectionner une période de 30 minutes ou moins avec le bouton de sélection de programme.



Séchage à l'air

Le programme de séchage à l'air n'utilise pas la chaleur. Utiliser ce programme de séchage sans chaleur pour sécher à l'air ou duveter des articles comme nappes de plastique, oreillers de mousse, chaussures de tennis, etc. Voir à la page 17 d'autres renseignements concernant le séchage à l'air.



Sélection du programme approprié et réglage

TYPE DE CHARGE	PROGRAMME	DURÉE (minutes)
COTON ET LINGE DE MAISON Extra-lourd–couvre-lits, couvre-matelas, couvre-lits piqués Lourd–serviettes, jeans, velours côtelé, vêtements de travail Moyen–draps, sous-vêtements en coton, couches Léger–batiste, organdi, lingerie	Séchage minuté Pressage permanent/rég. Pressage permanent/rég. Pressage permanent/rég.	90-105
ARTICLES À PRESSAGE PERMANENT, SYNTHÉTIQUES ET FIBRES MIXTES Lourd–vêtements de travail, blousons, imperméables Moyen–chemises, vêtements de loisirs, draps, pantalons Léger–lingerie, chemisiers, robes	Pressage permanent/rég. Pressage permanent/rég. Pressage permanent/rég.	
TRICOTS Lourd–coton, rayonne, fibres mixtes, T-shirts, pantalons, chemises Moyen–synthétiques (polyester, acrylique, etc.), pantalons, jupes, tricots Léger–synthétiques (polyester, acrylique, etc.) et fibres mixtes, lingerie, chemisiers, robes	Pressage permanent/rég. Pressage permanent/rég. Pressage permanent/rég.	
TISSUS DÉLICATS Rideaux fins (2 ou 3 panneaux), gaze, dentelle, etc.	Air	20-30 [†]
CAOUTCHOUC, PLASTIQUE, TISSUS SENSIBLES À LA CHALEUR Caoutchouc mousse–oreillers, soutiens-gorge, jouets en peluche Plastique–rideaux de douche, nappes Tapis à endos de caoutchouc Oléfine, polypropylène, nylon translucide	Air Air Air Air	20-30 [†] 20-30 [†] 40-50 [†] 15-20 [†]
CHAUSSURES DE COTON ET TOILE Placer dans la sècheuse plusieurs serviettes de bain qui limiteront le déplacement des chaussures, ou placer les chaussures sur une grille de séchage si la sècheuse en comporte une. Retirer les chaussures de la sècheuse alors qu'elles sont encore humides. Étirer les chaussures avant de les laisser sécher à l'air.	Air	30-40 [†]

[†]Réactiver le programme de séchage à l'air pour permettre un séchage complet.

Entretien de la sècheuse

Nettoyage du filtre à charpie

Nettoyage à chaque utilisation

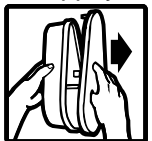
Le filtre à charpie se trouve dans le tambour de la sècheuse, sur la paroi arrière. **Le nettoyer avant chaque séchage.** Un filtre obstrué de charpie peut augmenter le temps de séchage.

Nettoyage :

1. Ouvrir la porte et retirer le filtre à charpie.



2. Appuyer sur le boîtier du filtre à charpie tout en tirant sur le couvercle.



3. Enlever la charpie du filtre en la roulant avec les doigts. Ne pas rincer ni laver le filtre pour enlever la charpie. La charpie mouillée s'enlève difficilement.
4. Replacer le couvercle sur le boîtier du filtre à charpie. Pousser le filtre à charpie fermement en place et refermer la porte.

IMPORTANT :

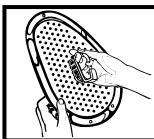
- Ne pas faire fonctionner la sècheuse avec un filtre à charpie déplacé, endommagé, bloqué ou manquant. Une telle action peut causer une surchauffe ou des dommages à la sècheuse et aux tissus.
- Certaines serviettes fabriquées de fibres synthétiques et de fibres naturelles (mélange de polyester et de coton) peuvent produire plus de charpie que les autres serviettes de telle sorte que le filtre à charpie de la sècheuse peut s'obstruer plus rapidement. S'assurer d'enlever la charpie du filtre à charpie avant et après le séchage de serviettes neuves.

Nettoyage au besoin

Les détergents et les adoucissants de tissu peuvent causer une accumulation de résidus sur le filtre à charpie. Nettoyer le filtre à charpie tous les six mois ou plus fréquemment s'il devient obstrué par suite d'une accumulation de résidus.

Utiliser la méthode suivante :

1. Mouiller les deux côtés du filtre à charpie avec de l'eau chaude.
2. Mouiller une brosse à nylon avec de l'eau chaude et du détergent liquide; frotter le filtre avec la brosse pour enlever l'accumulation de résidus.
3. Rincer le filtre à l'eau chaude.
4. Faire sécher à fond le filtre à charpie avec une serviette propre; replacer dans la sècheuse.



Nettoyage de l'intérieur de la sècheuse

Les vêtements contenant des teintures instables, tels que jeans en denim ou les articles en coton de couleur vive peuvent décolorer l'intérieur de la sècheuse.

Pour nettoyer le tambour de la sècheuse :

1. Faire une pâte avec du détergent en poudre et de l'eau tiède.
2. Appliquer la pâte sur un linge doux.
OU



Appliquer un produit de nettoyage domestique liquide ininflammable sur la tache et frotter la tache jusqu'à ce que l'excès de teinture disparaisse.

3. Bien essuyer le tambour à l'aide d'un linge humide.
4. Faire culbuter une charge de chiffons ou de serviettes propres pour faire sécher le tambour.

⚠️ AVERTISSEMENT



Risque d'explosion

Utiliser un produit de nettoyage ininflammable.

Le non-respect de cette instruction peut causer un décès, une explosion ou un incendie.

Comment enlever la charpie accumulée de l'intérieur du cabinet de la sècheuse

La charpie doit être enlevée à tous les 2 ou 3 ans ou plus souvent, selon l'utilisation de la sècheuse. Un nettoyage doit être effectué par une personne qualifiée.

Dépannage

Problèmes courants de séchage

PROBLÈME	CAUSE POSSIBLE	SOLUTION
Séchage non satisfaisant	La sècheuse compacte fonctionne à un wattage moindre.	Prévoir des temps de séchage prolongés.
	L'ouverture du conduit d'évacuation est bloquée.	Garder l'espace autour de l'ouverture d'évacuation dégagé.
	Le filtre à charpie est obstrué.	Nettoyer le filtre à charpie.
	Mouvement restreint de l'air. Le conduit d'évacuation ou le clapet d'évacuation à l'extérieur est obstrué de charpie.	Faire fonctionner la sècheuse pendant 5 à 10 minutes. Tenir la main sous le clapet d'évacuation à l'extérieur pour vérifier le mouvement de l'air. Si vous ne ressentez pas de l'air en mouvement, nettoyer le système d'évacuation de charpie ou remplacer le conduit d'évacuation par un conduit rigide ou en métal lourd flexible (voir "Instructions d'installation").
	Le conduit d'évacuation est écrasé ou plié.	Remplacer par un conduit rigide ou en métal lourd flexible (voir "Instructions d'installation").
	Un fusible est grillé ou le disjoncteur est déclenché. La sècheuse semblera fonctionner, mais sans chaleur.	Remplacer le fusible ou réenclencher le disjoncteur.
	La minuterie ou le réglage de la température est à AIR	Choisir le bon programme pour les types de vêtements à sécher (voir "Utilisation de la sècheuse").
	Les feuilles d'assouplissant de tissu bloquent la grille de sortie.	Utiliser seulement une feuille d'assouplissant par charge et l'utiliser seulement une fois.
	La sècheuse est située dans une pièce où la température est inférieure à 7°C (45°F).	Déplacer la sècheuse où elle peut fonctionner à des températures ambiantes supérieures à 7°C (45°F).
	La charge comporte une humidité élevée.	Prévoir des durées de séchage plus longues avec les articles qui retiennent plus d'humidité (coton).
De l'eau de rinçage froide a été utilisée.	Prévoir des durées de séchage plus longues, mais vous économisez de l'énergie tout en réduisant les faux plis.	
La charge est trop grosse et encombrante pour sécher rapidement.	Séparer la charge pour qu'elle culbute librement.	
Sècheuse en panne	Le cordon d'alimentation électrique n'est pas bien branché dans un circuit actif à tension appropriée.	Brancher le cordon d'alimentation électrique dans un circuit sous tension.
	Les fusibles sont grillés ou le disjoncteur est déclenché.	Remplacer les fusibles ou réenclencher les disjoncteur.

Problèmes courants de séchage (suite)

PROBLÈME	CAUSE	SOLUTION
Sécheuse en panne (suite)	Utilisation d'un fusible ordinaire.	Remplacer par un fusible temporisé.
	La porte de la sécheuse n'est pas bien fermée.	Bien fermer la porte de la sécheuse.
	Le bouton de mise en marche n'est pas bien enfoncé.	Appuyer de nouveau sur le bouton de mise en marche.
	Le bouton de sélection de programme et de température est à la position OFF.	Régler sur un programme ou une durée.
Charpie dans la charge	Le filtre à charpie est obstrué.	Nettoyer le filtre à charpie. Vérifier le mouvement de l'air.
	Triage inapproprié	Trier les articles causant la charpie des articles qui retiennent la charpie et par couleur.
	Charge excessive ou trop lourde.	Sécher des charges plus petites de sorte que la charpie puisse être dirigée vers le filtre à charpie.
	Charge surséchée.	Utiliser le réglage correct de la sécheuse selon le tissu. Le surséchage peut causer de la statique qui attire la charpie (voir "Utilisation de la sécheuse").
	Papier ou mouchoir de papier dans les poches	Vider les poches avant le séchage.
	Duvet mépris pour la charpie.	Le duvet (duvet à la surface) est causé par l'usure normale et le lavage.
Taches sur le linge	Utilisation inappropriée d'assouplissant de tissu dans la laveuse.	Utiliser des feuilles d'assouplissant de tissu dans la sécheuse. Les ajouter au début du programme lorsque la charge est froide.
	Séchage d'articles souillés.	Les articles ont besoin d'être nettoyés avant d'être séchés.
	Surséchage.	Adopter les réglages de la sécheuse selon le type de tissu (voir "Utilisation de la sécheuse").
	Qualité médiocre du vêtement.	Vérifier la qualité du vêtement avant l'achat.
	Instructions du fabricant sur l'étiquette d'entretien non suivies.	Suivre attentivement les instructions sur l'étiquette d'entretien du tissu.
Rétrécissage du linge	Surcharge.	Sécher des charges plus petites qui peuvent culbuter librement.
	Surséchage.	Assortir les réglages de la sécheuse au type de tissus (voir "Utilisation de la sécheuse").
Charges avec faux plis	Charge laissée dans la sécheuse à la fin du programme.	Enlever la charge dès que le culbutage cesse.
Odeurs	Produits chimiques, peinture ou vernis domestique attirés dans la sécheuse.	Ne pas utiliser la sécheuse pendant que ces émanations chimiques sont dans l'air.
	Première utilisation de l'élément dans la sécheuse	Disparaîtront après le premier programme.
Bruits inhabituels	Bruits sourds des rouleaux lorsque la sécheuse n'a pas été utilisée depuis quelque temps.	Le bruit disparaîtra après 5 minutes de séchage.

Assistance ou service

Si vous avez besoin d'assistance ou de service

1. Si le problème n'est pas attribuable à l'une des causes indiquées dans "Dépannage"[†]...

Communiquer avec le marchand où vous avez acheté votre appareil électroménager, ou téléphoner au service des relations avec la clientèle d'Inglis Limitée, sans frais d'interurbain, entre



8 h 30 et 18 h (HNE), en composant le **1-800-461-5681**.

2. Si vous avez besoin de service[†]...

Contactez Inglis Limitée de n'importe où au Canada au **1-800-807-6777**.

[†] Lorsque vous demandez de l'assistance ou un service, veuillez fournir une description détaillée du problème, les numéros complets de modèle et de série de l'appareil, et la date d'achat. (Voir la section "Note à l'utilisateur.") Ces renseignements nous aideront à mieux répondre à votre demande.

Si vous avez besoin de pièces de rechange

Si vous avez besoin de commander des pièces de rechange, nous vous recommandons d'utiliser seulement des pièces d'origine FSP*. Ces pièces conviendront et fonctionneront bien parce qu'elles sont fabriquées selon les mêmes spécifications précises utilisées pour construire chaque nouvel appareil

électroménager WHIRLPOOL*.

Pour trouver des pièces d'origine FSP dans votre région, téléphoner au Centre de service désigné le plus proche.

Pour plus d'assistance

Si vous avez besoin de plus d'assistance, vous pouvez écrire à Inglis Limitée en soumettant toute question ou préoccupation au :

Service des relations avec la clientèle
Inglis Limitée
1901 Minnesota Court
Mississauga, Ontario L5N 3A7

Veuillez indiquer dans votre correspondance un numéro de téléphone où l'on peut vous joindre le jour.

Garantie de la sècheuse WHIRLPOOL*

DURÉE DE LA GARANTIE	CE QUI EST COUVERT PAR LA GARANTIE
GARANTIE COMPLÈTE DE UN AN À COMPTER DE LA DATE D'ACHAT	Pièces de rechange FSP* et la main-d'oeuvre pour corriger les vices de matériau ou de fabrication. Les travaux doivent être exécutés par un établissement de service désigné par Whirlpool.
GARANTIE DE LA DEUXIÈME À LA QUINZIÈME ANNÉE INCLUSIVEMENT À COMPTER DE LA DATE D'ACHAT	Pièces de rechange FSP pour le tambour de la sècheuse s'il existe des perforations par la rouille.
CE QUI N'EST PAS COUVERT PAR LA GARANTIE	
<p>A. Visites de service pour :</p> <ol style="list-style-type: none"> Rectifier l'installation de la sècheuse, y compris le système d'évacuation de l'air. Le conduit d'évacuation en métal lourd de 10,16 cm (4 po) doit être utilisé. Consulter les instructions d'installation de ce manuel. Donner des instructions concernant l'utilisation de la sècheuse, remplacer les fusibles, ou réactiver les coupe-circuit ou remplacer les ampoules d'éclairage accessibles au propriétaire. <p>B. Les réparations, lorsque la sècheuse est utilisée à des fins autres qu'un usage unifamilial normal.</p> <p>C. Les dommages imputables à un accident, modification, usage impropre, abus, incendie, inondation, actes de Dieu, installation incorrecte (y compris mais non limités aux conduits d'évacuation en plastique ou métallisé souples), ou installation non conforme aux codes locaux d'électricité et de plomberie.</p> <p>D. Pièces de rechange ou frais de main-d'oeuvre pour les appareils utilisés en dehors du Canada.</p> <p>E. Le ramassage et la livraison. Ce produit est conçu pour être réparé à domicile.</p> <p>F. Les réparations des pièces ou systèmes résultant de modifications non autorisées apportées à l'appareil.</p> <p>G. Frais de voyage ou transport pour les clients qui habitent dans des régions éloignées.</p>	

2/99

WHIRLPOOL CORPORATION ET INGLIS LIMITÉE DÉCLINENT TOUTE RESPONSABILITÉ AU TITRE DE DOMMAGES SECONDAIRES OU INDIRECTS.

Certaines provinces peuvent ne pas admettre l'exclusion ou la limitation des dommages secondaires ou indirects; par conséquent, l'exclusion ou la limitation mentionnée ci-dessus peut ne pas s'appliquer dans votre cas. Cette garantie vous confère des droits juridiques spécifiques; vous pouvez également jouir d'autres droits, variables d'une province à une autre.

Si une intervention de service est nécessaire, consulter d'abord la section "Dépannage" de ce manuel. Une autre aide peut être trouvée en vérifiant la section "Assistance ou service" ou téléphoner à Inglis Limitée au numéro **1-800-807-6777**.